
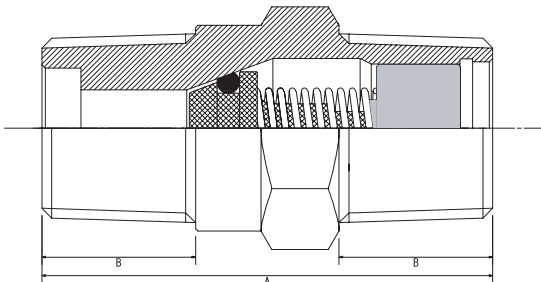


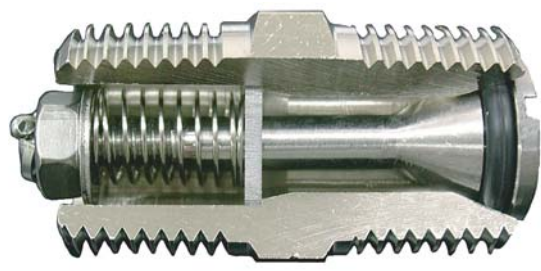
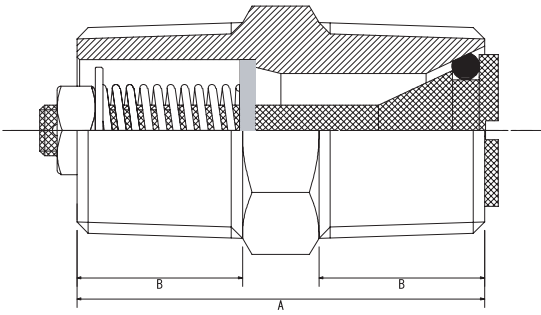
C Series (for General Multipurpose Use)

- <Features> ■ A compact, low cost, high quality Check Valve.
 ■ Zero Leakage and Longer operating life by double-touch system with O-ring seal and metal touch.

Shape			Working Pressure	Vacuum~4.9MPa			
			Proof Pressure	7.35MPa			
			Pipe Size	R1/8~R1"			
			Body Material	Brass/316 SS			
			O-ring Material	Fluororubber JIS B 2401 4D(Standard)			
			Crack Pressure	7kPa(Standard)			
			Note	● Max operating differential pressure: 0.6MPa ● Built-in discfilter available(Optional) ● Optional crack pressure: 1,20,50kPa ※ Mounting direction must be upward for the crack pressure 1kPa valve.			
Drawing			Dimensions (mm)	Pipe Size	A	B	HEX
				1/8	33.5	10.0	13.0
				1/4	40.2	13.6	16.0
				3/8	40.5	13.8	19.0
				1/2	48.0	18.0	22.0
				3/4	59.0	22.0	29.0
				1"	68.0	21.0	35.0

C1 Series (for General Multipurpose Use)

- <Features> ■ Wide line-up from R1/8 to R2". ※Note:Select a proper material for use
 ■ Ideal for liquid mixing device by keeping liquid out from outlet side.

Shape			Working Pressure	Vacuum~4.9MPa			
			Proof Pressure	7.35MPa			
			Pipe Size	Brass : R1/8~R1/2, 316 SS : R1/4~R2"			
			Body Material	Brass/316 SS			
			O-ring Material	Fluororubber JIS B 2401 4D(Standard)			
			Crack Pressure	7kPa			
			Note	● Max Operation differential Pressure: 0.6MPa ● Consult Factory for larger then 3/4" Brass products.			
Drawing			Dimensions (mm)	Pipe Size	A	B	HEX (对边)
				1/8			
				1/4	30.0	12.0	14.0
				3/8	32.0	13.0	17.0
				1/2	41.0	16.0	22.0
				3/4	53.0	21.0	29.0
				1"	70.0	30.0	35.0
				1 1/4	72.0	30.0	45.0
				1 1/2	81.0	33.0	50.0
				2"	85.0	35.0	65.0

[Ordering Information]

<p>■ Basic Type</p> <p>C for General Multipurpose Use</p> <p>C1 for General Multipurpose Use</p>		<p>■ Crack Pressure</p> <p>Shown only optional crack pressure(C series only)</p> <p>The minimum unit is 1kPa, and shown as "-1".</p> <p>Showing using SI unit(Shown only optional crack pressure)</p>																													
<p>■ Body Material</p> <table border="1"> <tr> <td>T</td> <td>316 SS</td> </tr> <tr> <td>B</td> <td>Brass</td> </tr> </table>		T	316 SS	B	Brass	<p>■ Seal Material</p> <table border="1"> <thead> <tr> <th>#</th> <th>Seal Material</th> <th>Temperature Rating</th> <th>#</th> <th>Seal Material</th> <th>Temperature Rating</th> </tr> </thead> <tbody> <tr> <td>V</td> <td>Fluororubber JIS B 2401 4D</td> <td>-12~+180°C</td> <td>S</td> <td>Silicone JIS B 2401 4C</td> <td>-45~+180°C</td> </tr> <tr> <td>K</td> <td>Kalrez®</td> <td>-4~+284°C</td> <td>E</td> <td>Ethylene-propylene</td> <td>-40~+90°C</td> </tr> <tr> <td>D</td> <td>Perflouro</td> <td>-27~+207°C</td> <td>N</td> <td>NBR</td> <td>-27~+90°C</td> </tr> </tbody> </table>		#	Seal Material	Temperature Rating	#	Seal Material	Temperature Rating	V	Fluororubber JIS B 2401 4D	-12~+180°C	S	Silicone JIS B 2401 4C	-45~+180°C	K	Kalrez®	-4~+284°C	E	Ethylene-propylene	-40~+90°C	D	Perflouro	-27~+207°C	N	NBR	-27~+90°C
T	316 SS																														
B	Brass																														
#	Seal Material	Temperature Rating	#	Seal Material	Temperature Rating																										
V	Fluororubber JIS B 2401 4D	-12~+180°C	S	Silicone JIS B 2401 4C	-45~+180°C																										
K	Kalrez®	-4~+284°C	E	Ethylene-propylene	-40~+90°C																										
D	Perflouro	-27~+207°C	N	NBR	-27~+90°C																										
<p>■ Pipe Size</p> <table border="1"> <thead> <tr> <th></th> <th>1</th> <th>2</th> <th>3</th> <th>4</th> <th>5</th> <th>6</th> </tr> </thead> <tbody> <tr> <td>1</td> <td>1/8</td> <td>1/4</td> <td>3/8</td> <td>1/2</td> <td>3/4</td> <td>1"</td> </tr> <tr> <td>2</td> <td>1/4</td> <td>3/8</td> <td>1/2</td> <td>3/4</td> <td>1"</td> <td>1 1/4</td> </tr> <tr> <td>3</td> <td>3/8</td> <td>1/2</td> <td>3/4</td> <td>1"</td> <td>1 1/4</td> <td>1 1/2</td> </tr> </tbody> </table>					1	2	3	4	5	6	1	1/8	1/4	3/8	1/2	3/4	1"	2	1/4	3/8	1/2	3/4	1"	1 1/4	3	3/8	1/2	3/4	1"	1 1/4	1 1/2
	1	2	3	4	5	6																									
1	1/8	1/4	3/8	1/2	3/4	1"																									
2	1/4	3/8	1/2	3/4	1"	1 1/4																									
3	3/8	1/2	3/4	1"	1 1/4	1 1/2																									

※The temperature Ratings are based on O-ring manufacturer's data for reference. Not guaranteed.

«e.g.»C series, Body Material:316SS, O-ring:Perflouro, Pipe Size:R3/8", Crack Pressure:20KPa ⇒ P/N "CT3D-20"